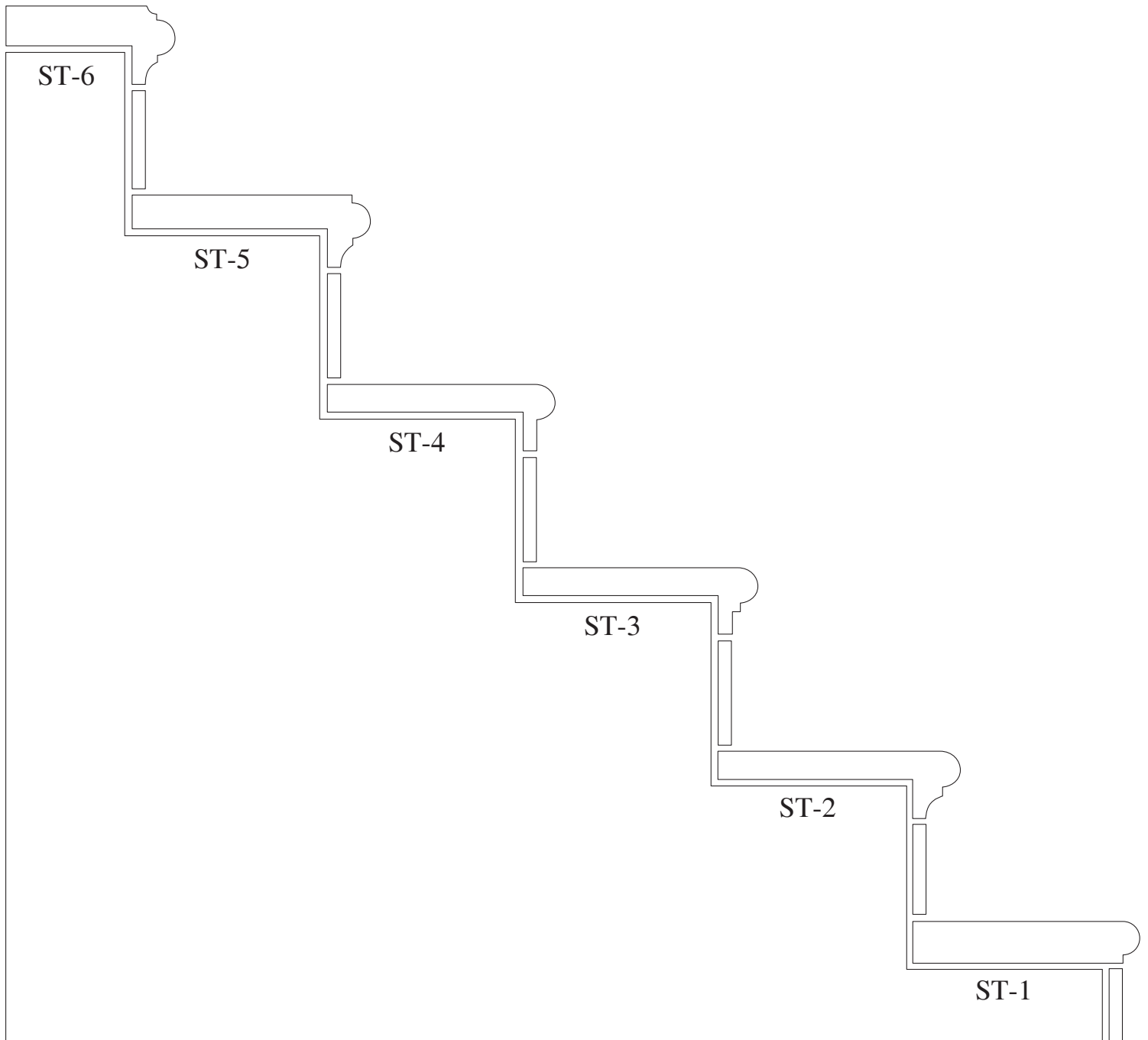
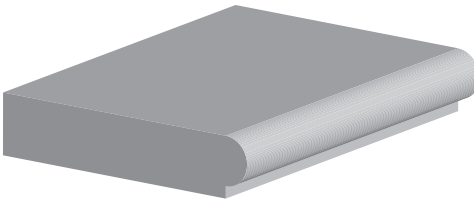
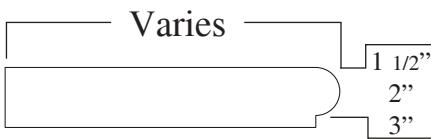
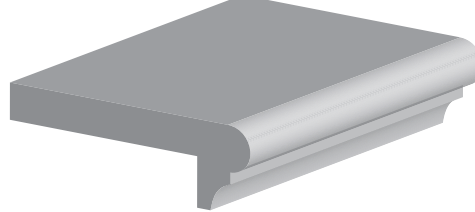
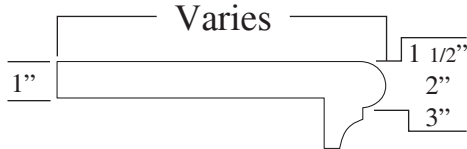
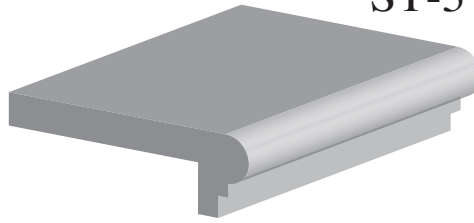
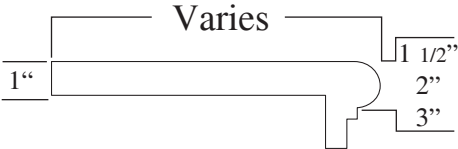
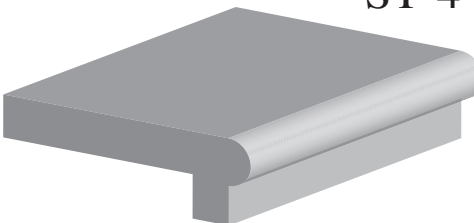
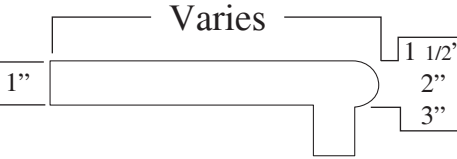
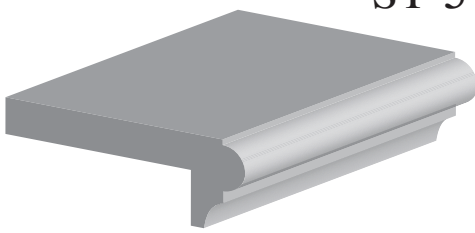
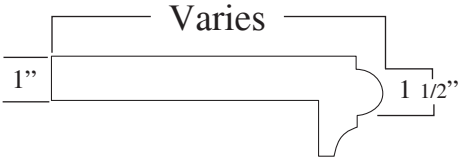


Stair Tread Details

DC and CDS offers the following styles of Stair Treads. Precast Stair Treads are reinforced with rebar for extra strength. Maximum length for each piece is six feet. Treads are available with bull nose, ogee and chamfered leading edges to accommodate any architectural design and are available in a wide array of sizes for straight or spiral stairways and may be ordered with or without return. Custom radii are available and requests for custom designs are always welcome.



<p style="text-align: right;">ST-1</p>  	<p style="text-align: right;">ST-2</p>  	<p style="text-align: right;">ST-3</p>  
<p style="text-align: right;">ST-4</p>  	<p style="text-align: right;">ST-5</p>  	<p style="text-align: right;">ST-6</p> 